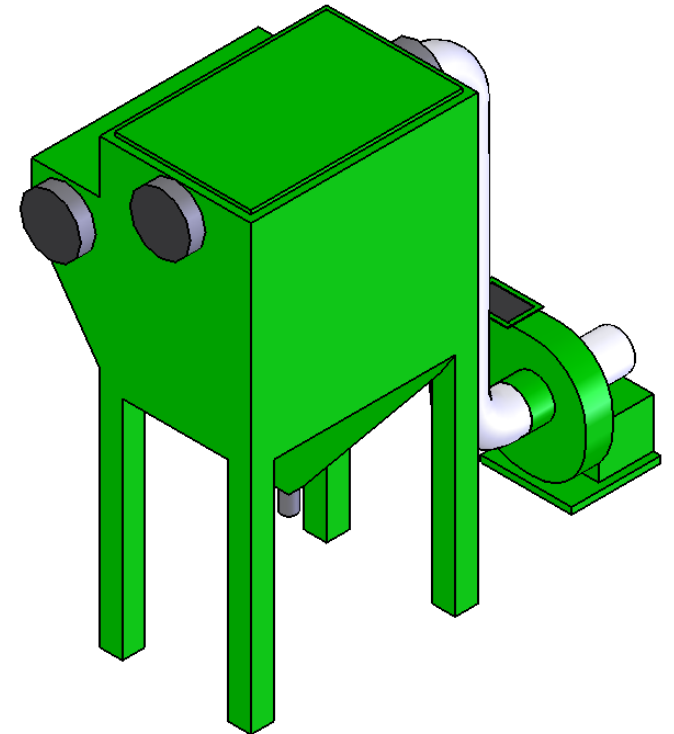
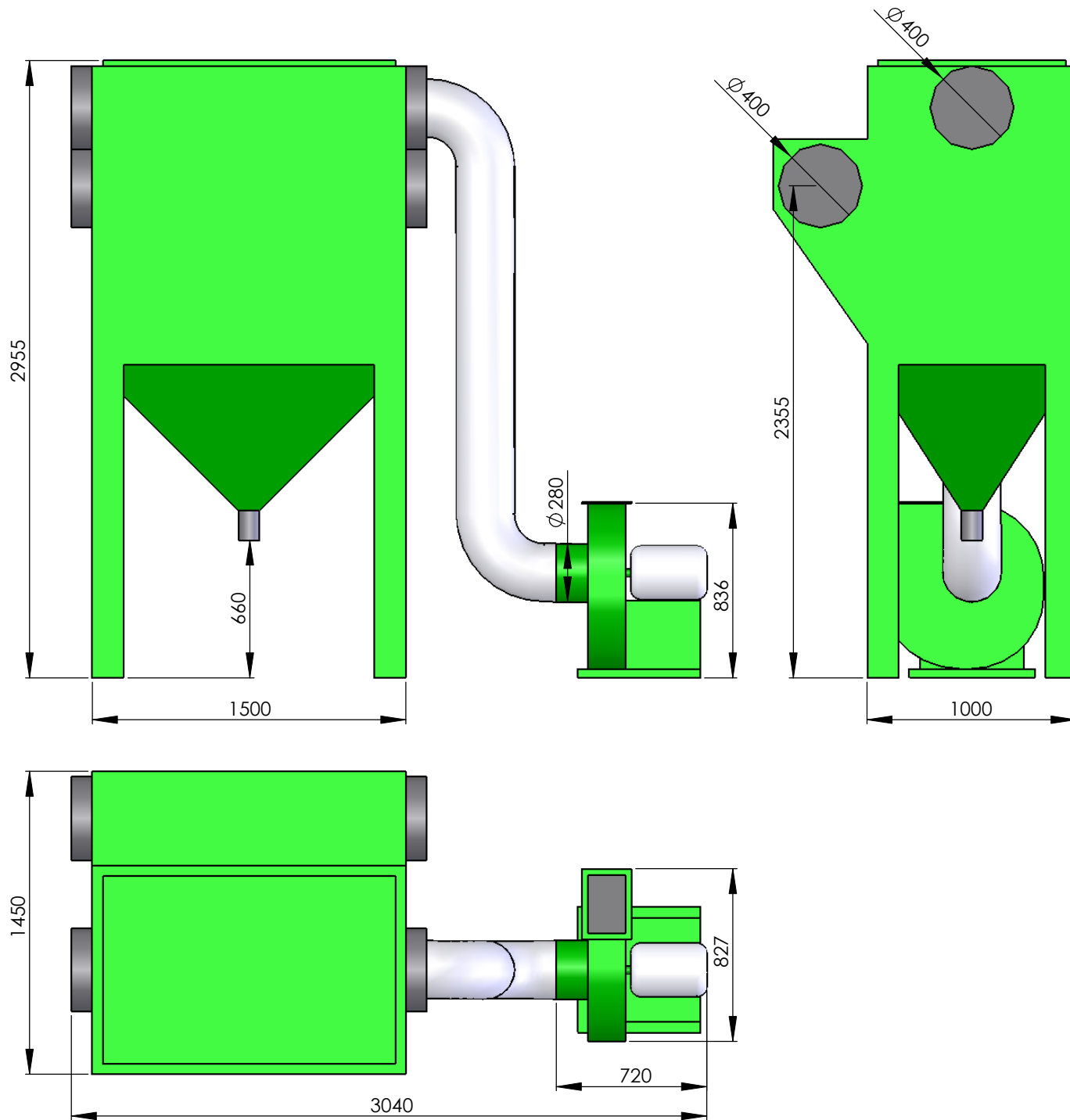


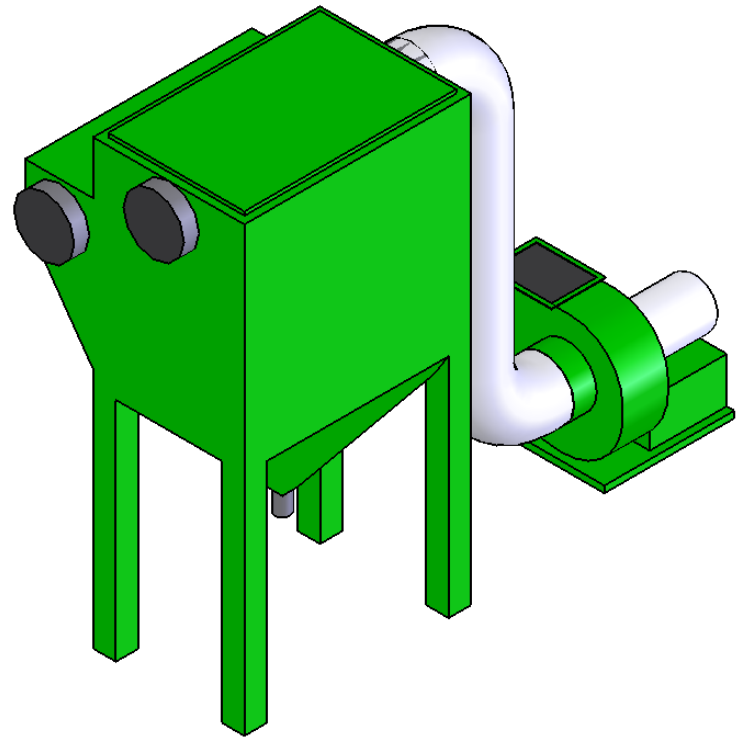
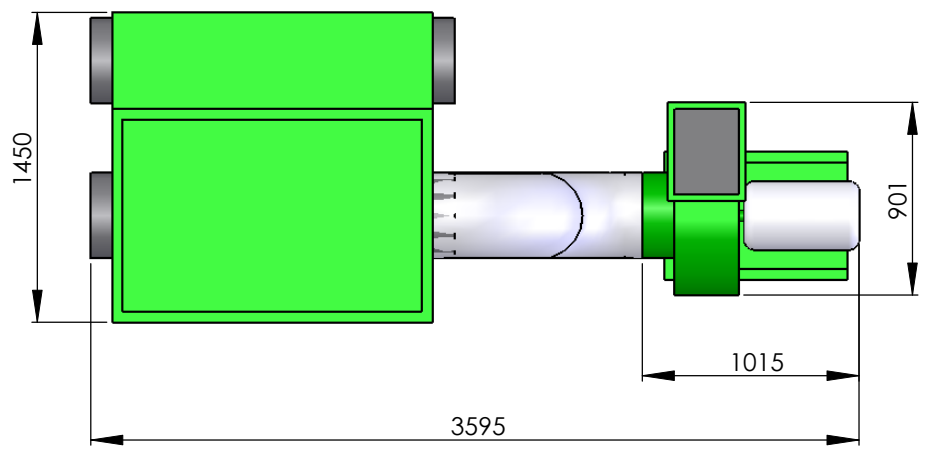
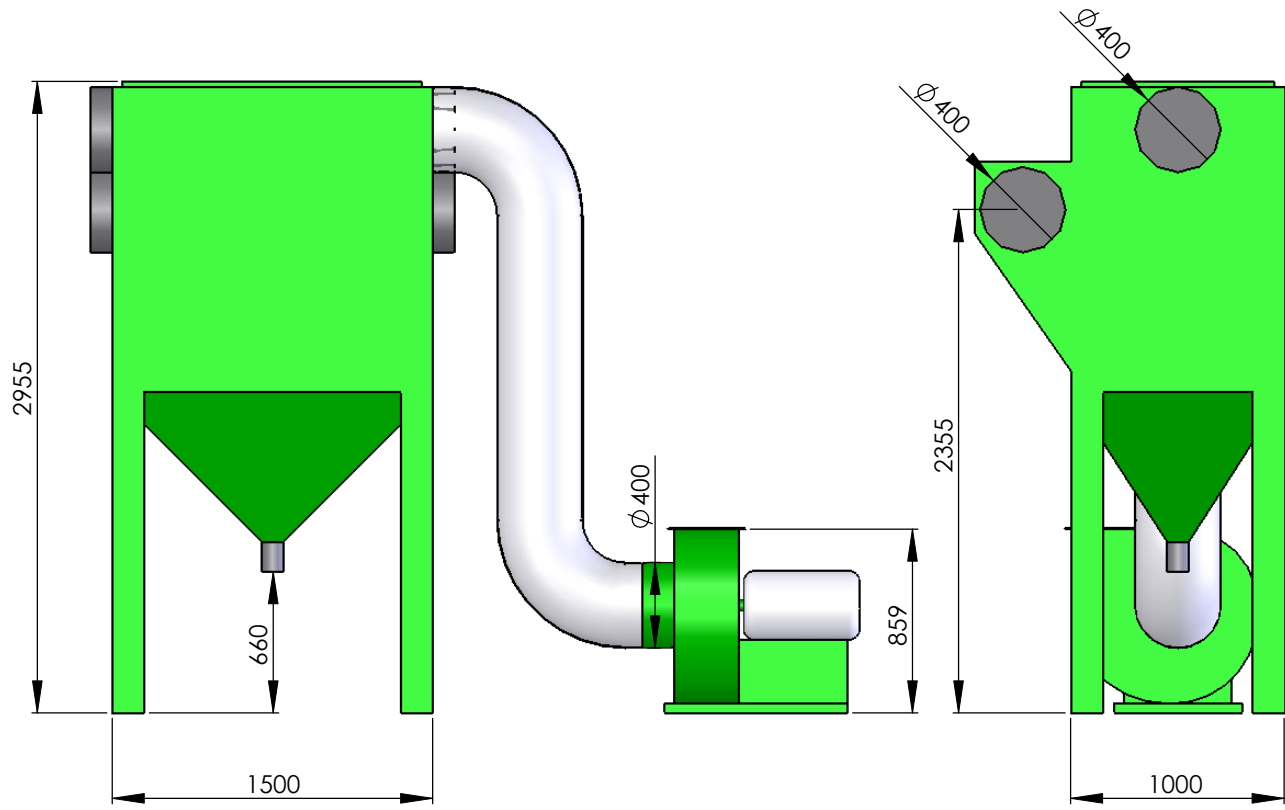
Weight = 350 kg

MUNKEBO CLEMCO A/S SMEDELØKKEN 5-7 TLF.: +45 65 97 43 80 DK-5330 MUNKEBO FAX: +45 65 97 47 45 WWW.MUNKEBO.COM INFO@MUNKEBO.COM	Format: A3	Date: 02.04.09	Drawn by: LA
	Page: 1 of 1	Rev. date:	Scale: 1:20
Description: DUST COLLECTOR MB-2000D / MBX-18		Drawing no.: 9,1231	



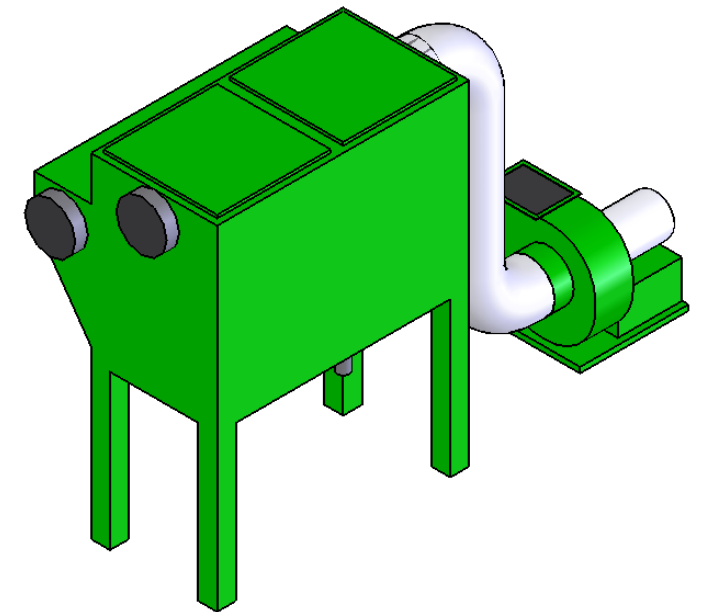
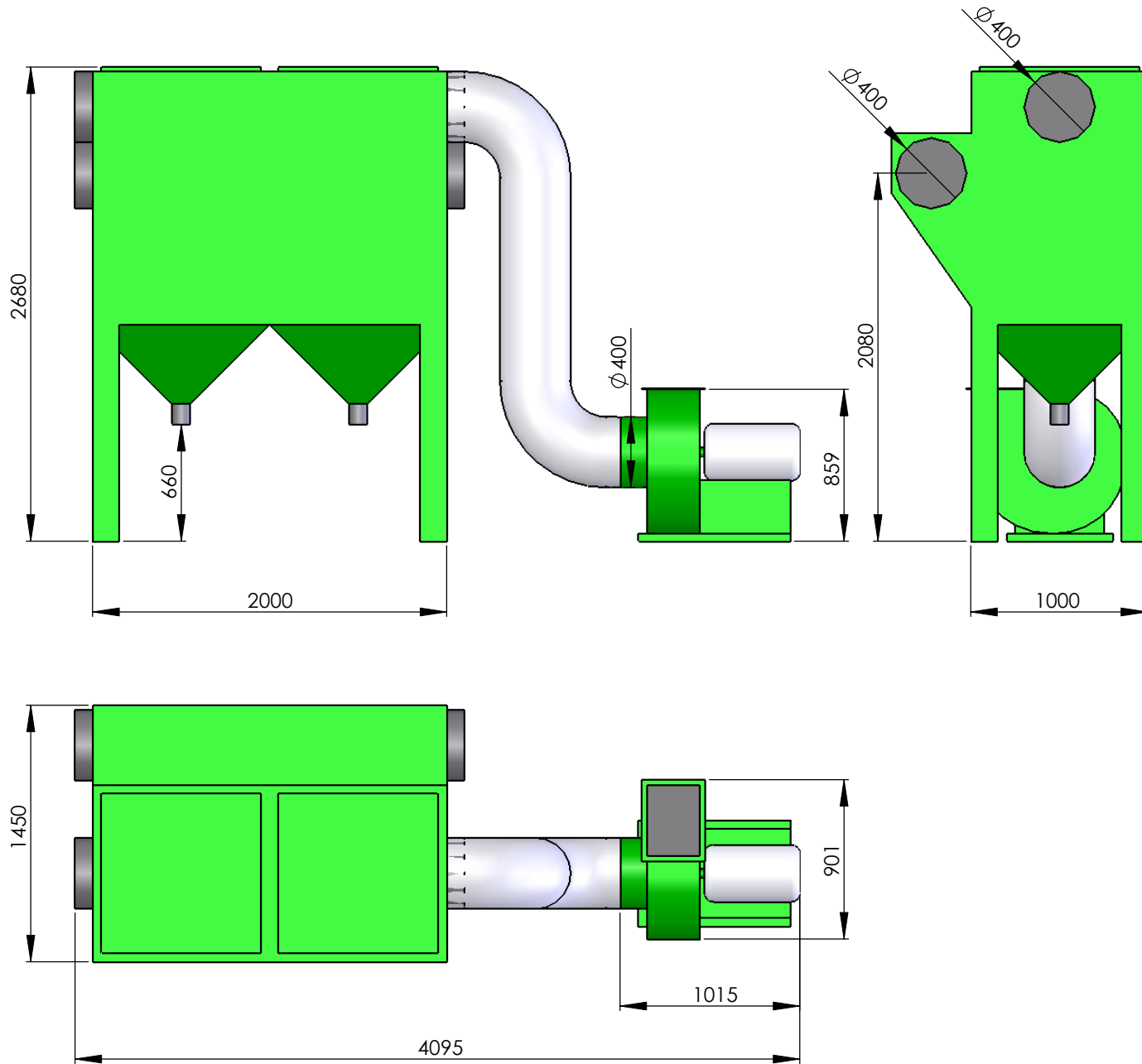
Weight = 850 kg

MUNKEBO CLEMCO A/S SMEDELØKKEN 5-7 TLF.: +45 65 97 43 80 DK-5330 MUNKEBO FAX: +45 65 97 47 45 WWW.MUNKEBO.COM INFO@MUNKEBO.COM	Format: A3	Date: 23.04.09	Drawn by: LA
	Page: 1 of 1	Rev. date:	Scale: 1:20
Description: DUST COLLECTOR MB-5000D / MBX-60		Drawing no.: 9,1347	



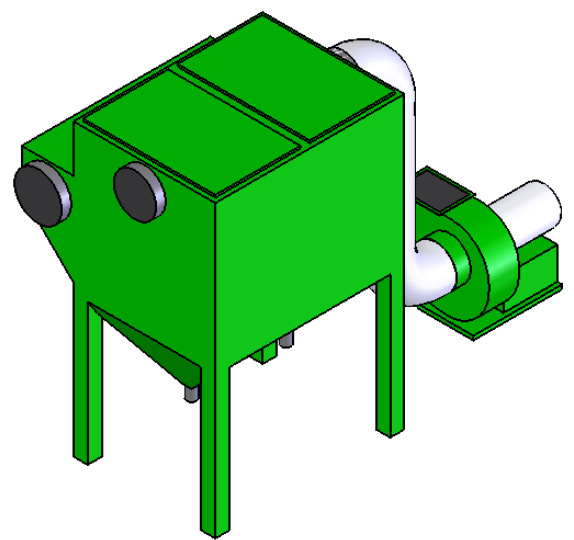
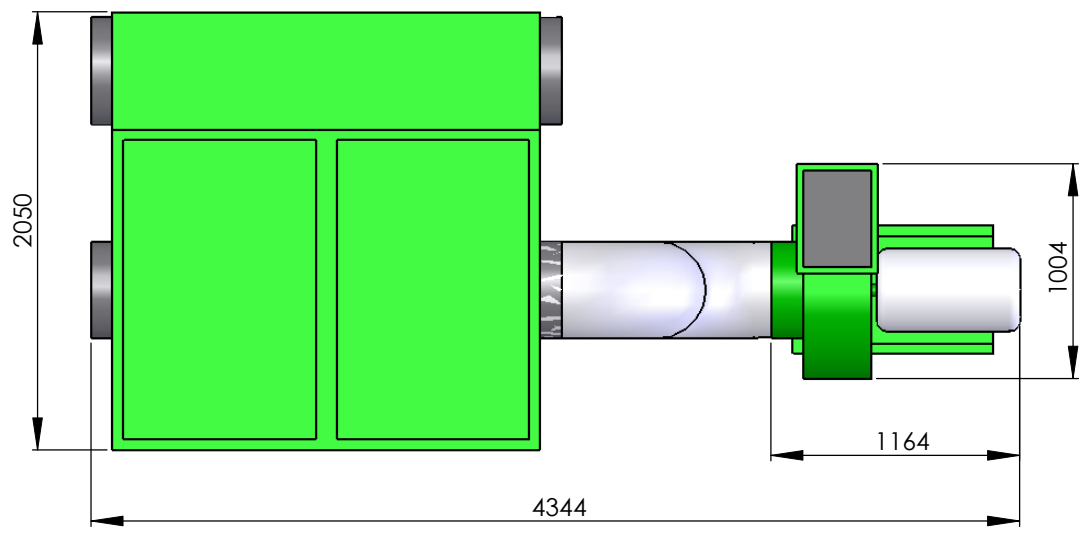
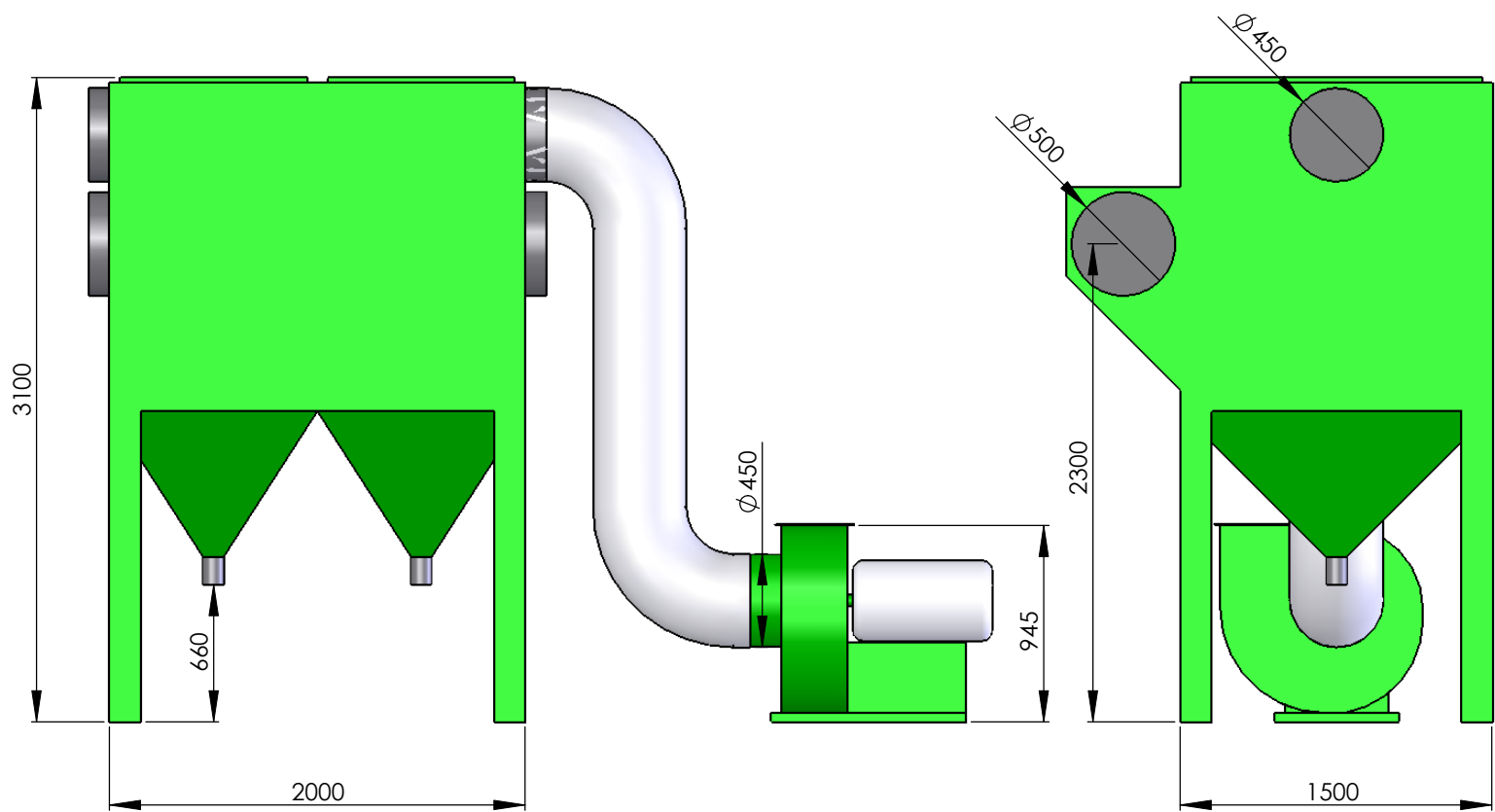
Weight = 940 kg

MUNKEBO CLEMCO A/S SMEDELØKKEN 5-7 TLF.: +45 65 97 43 80 DK-5330 MUNKEBO FAX: +45 65 97 47 45 WWW.MUNKEBO.COM INFO@MUNKEBO.COM	Format: A3	Date: 23.04.09	Drawn by: LA
	Page: 1 of 1	Rev. date:	Scale: 1:25
Description: DUST COLLECTOR MB-7500D / MBX-78		Drawing no.: 9,1381	



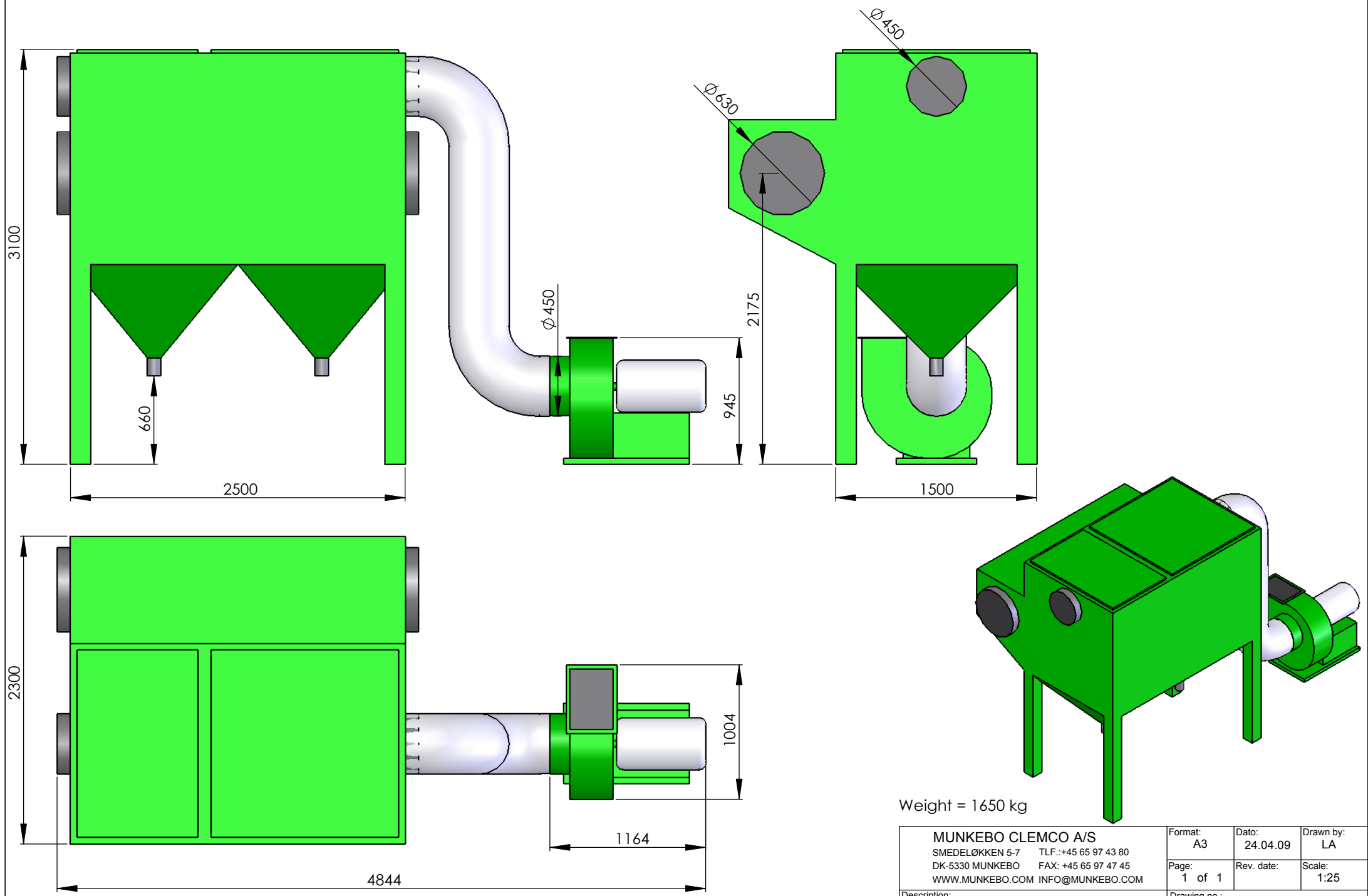
Weight = 1040 kg

MUNKEBO CLEMCO A/S SMEDELØKKEN 5-7 TLF.: +45 65 97 43 80 DK-5330 MUNKEBO FAX: +45 65 97 47 45 WWW.MUNKEBO.COM INFO@MUNKEBO.COM	Format: A3	Date: 23.04.09	Drawn by: LA
	Page: 1 of 1	Rev. date:	Scale: 1:25
Description: DUST COLLECTOR MB-1000D / MBX-104		Drawing no.: 9,1348	



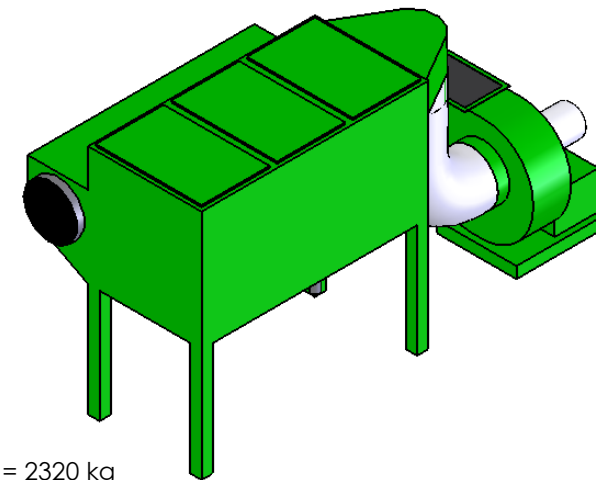
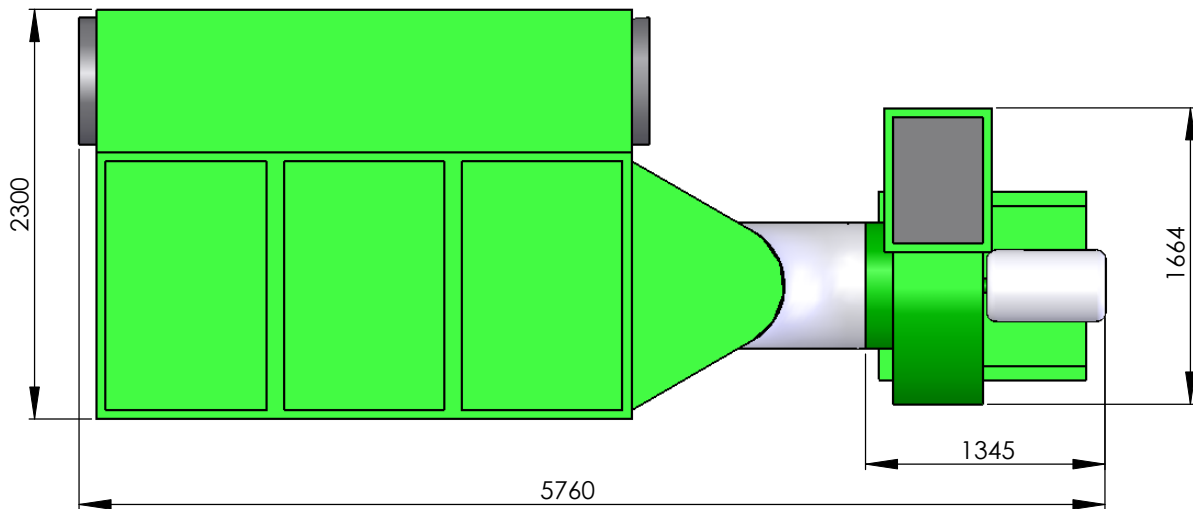
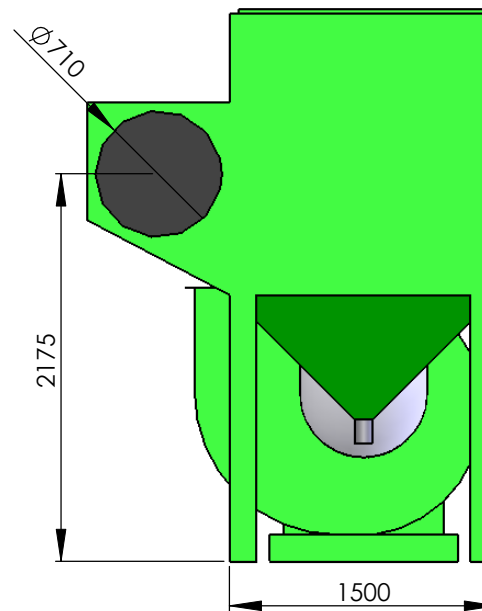
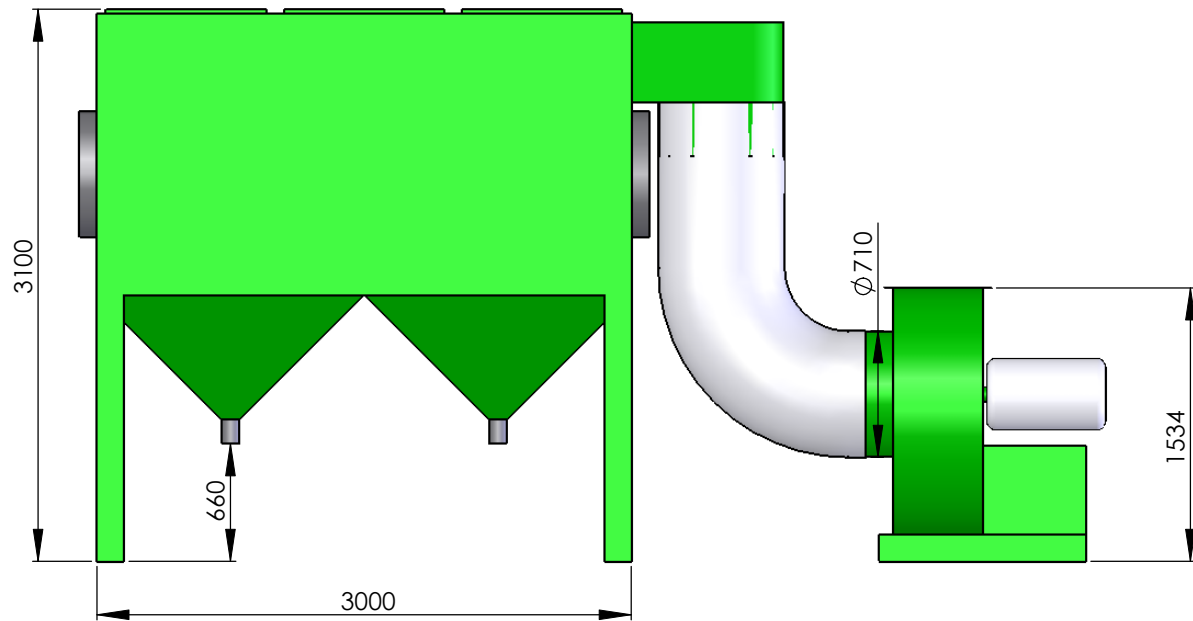
Weight = 1430 kg

MUNKEBO CLEMCO A/S SMEDELØKKEN 5-7 TLF.: +45 65 97 43 80 DK-5330 MUNKEBO FAX: +45 65 97 47 45 WWW.MUNKEBO.COM INFO@MUNKEBO.COM	Format: A3	Date: 24.04.09	Drawn by: LA
	Page: 1 of 1	Rev. date:	Scale: 1:25
Description: DUST COLLECTOR MB-1500D / MBX-156		Drawing no.: 9,1349	



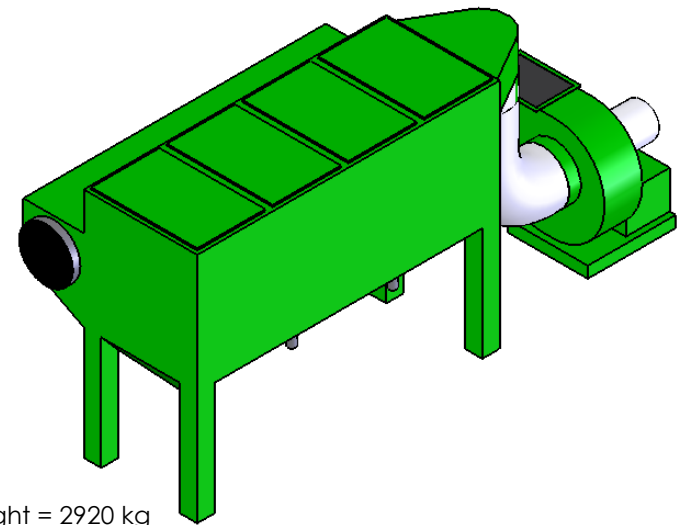
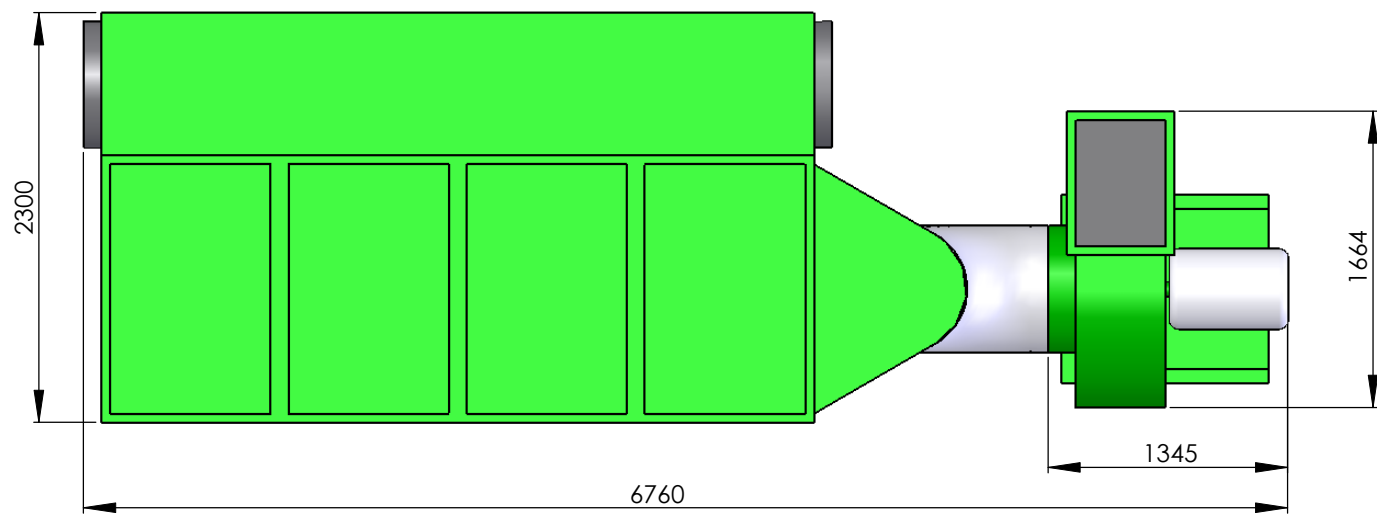
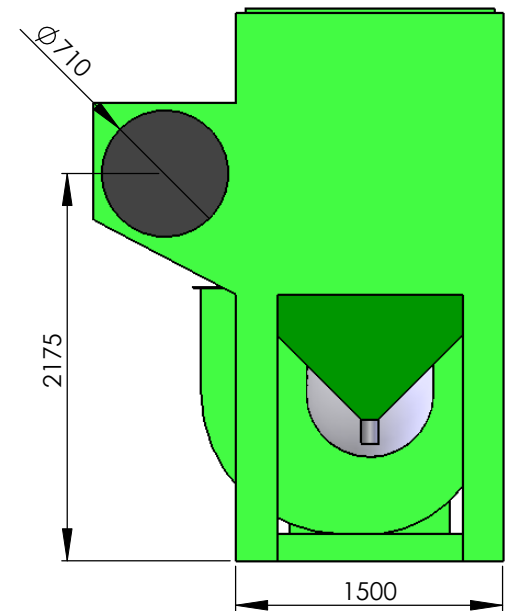
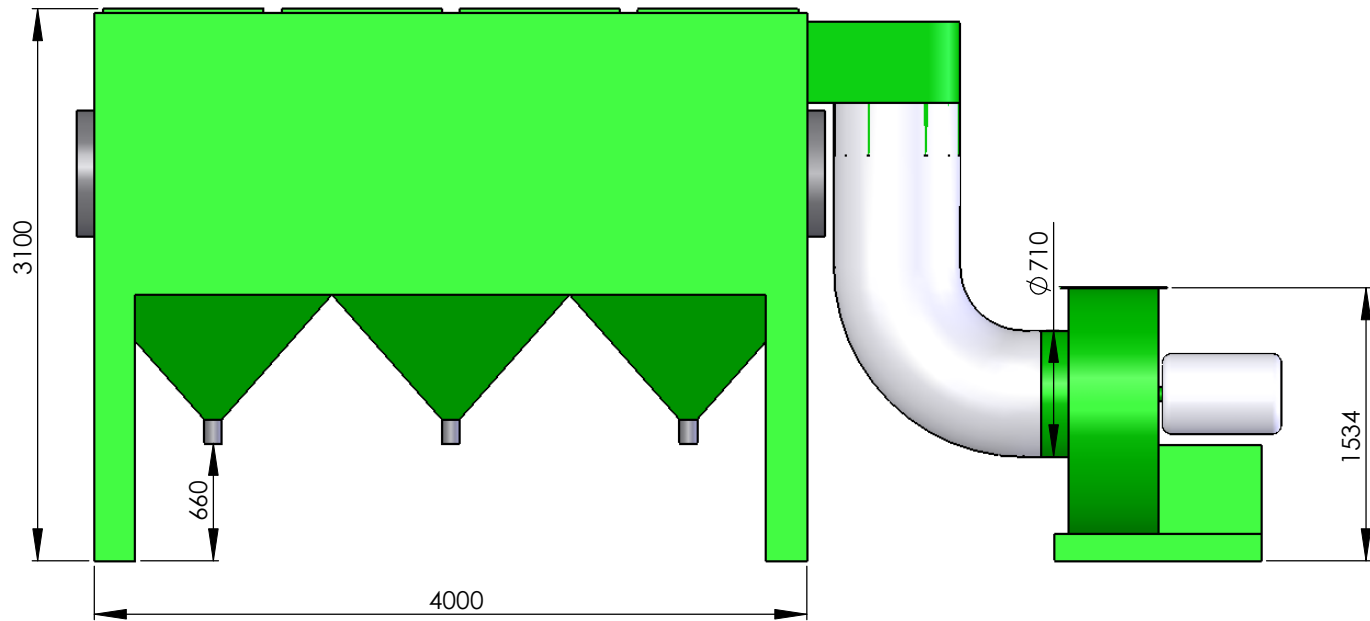
Weight = 1650 kg

MUNKEBO CLEMCO A/S SMEDELØKKEN 5-7 TLF.: +45 65 97 43 80 DK-5330 MUNKEBO FAX: +45 65 97 47 45 WWW.MUNKEBO.COM INFO@MUNKEBO.COM	Format: A3	Date: 24.04.09	Drawn by: LA
	Page: 1 of 1	Rev. date:	Scale: 1:25
Description: DUST COLLECTOR MB-20000D / MBX-195		Drawing no.: 9,1350	



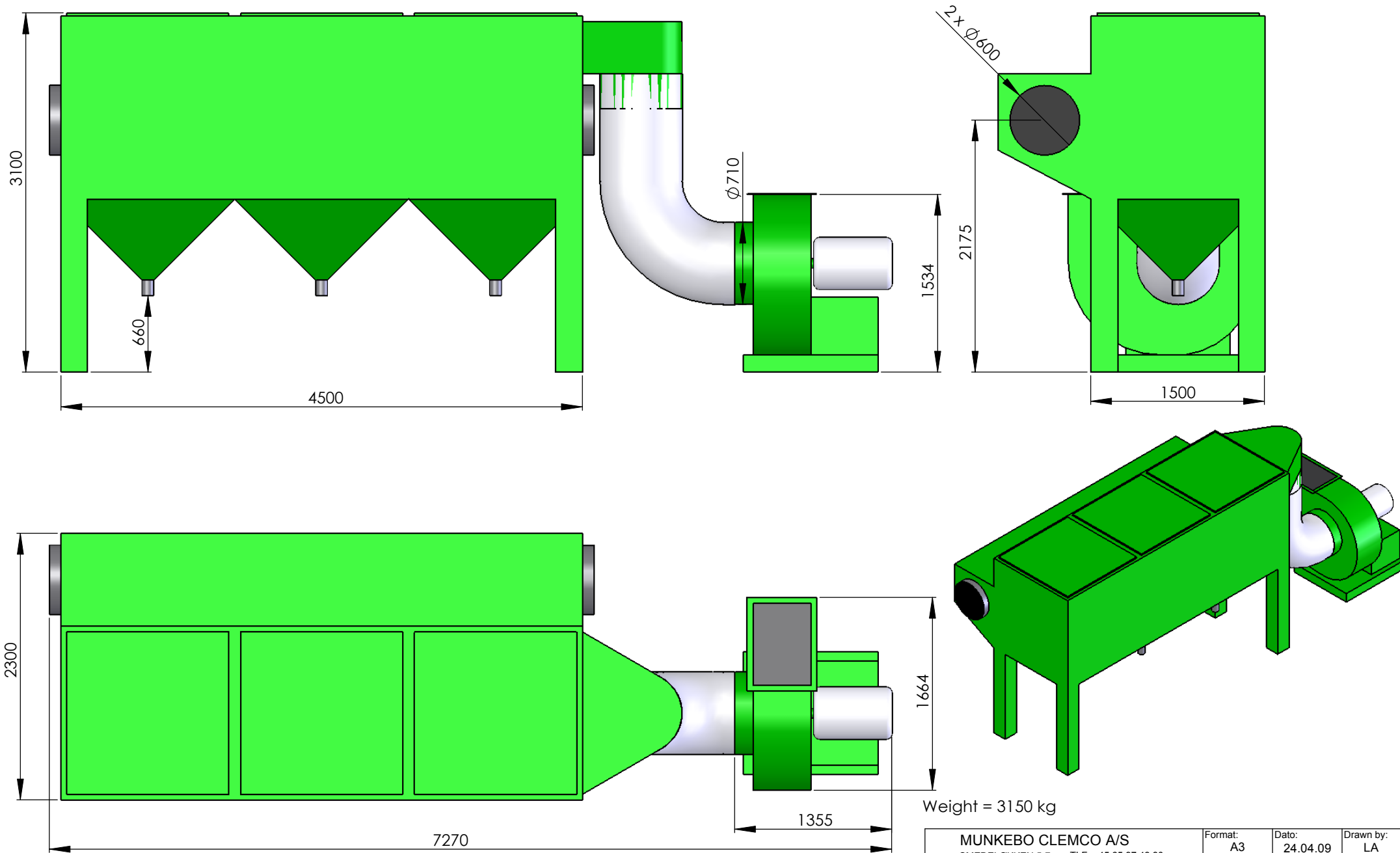
Weight = 2320 kg

MUNKEBO CLEMCO A/S SMEDELØKKEN 5-7 TLF.: +45 65 97 43 80 DK-5330 MUNKEBO FAX: +45 65 97 47 45 WWW.MUNKEBO.COM INFO@MUNKEBO.COM	Format: A3	Date: 24.04.09	Drawn by: LA
	Page: 1 of 1	Rev. date:	Scale: 1:30
Description: DUST COLLECTOR MB-25000D / MBX-234		Drawing no.: 9,1351	



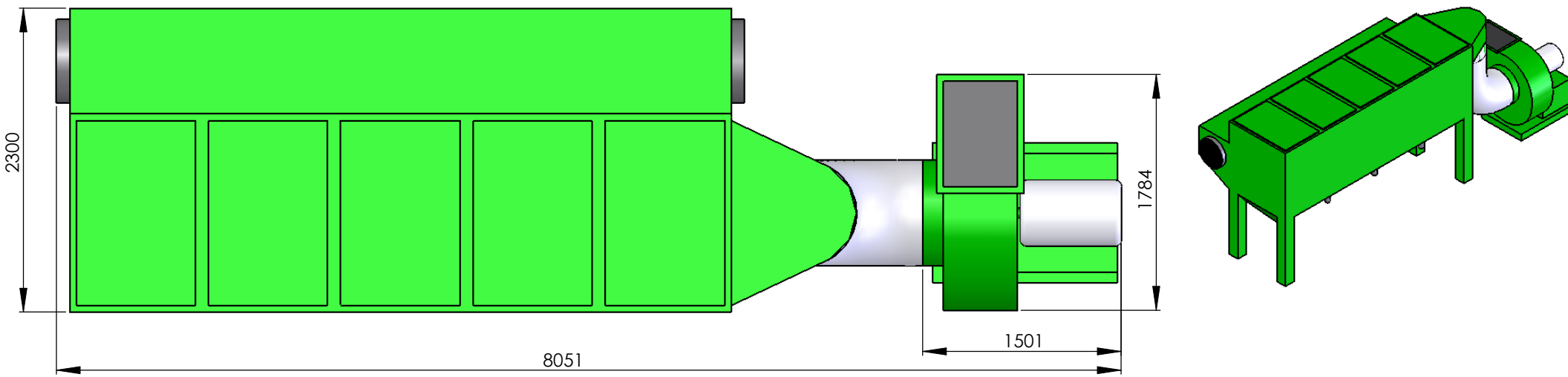
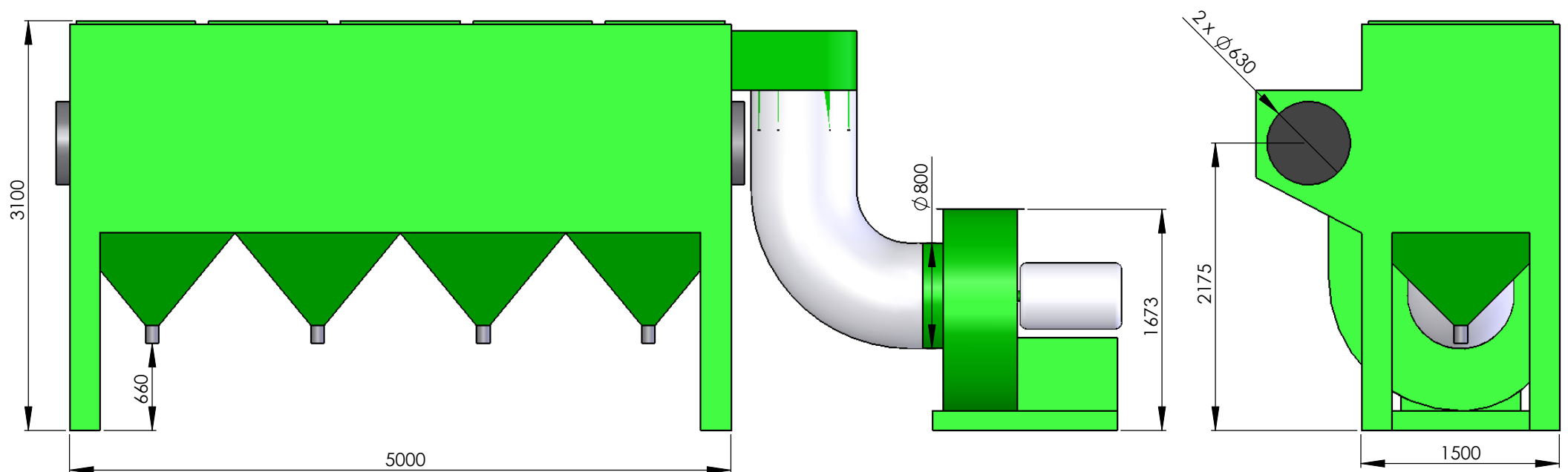
Weight = 2920 kg

MUNKEBO CLEMCO A/S SMEDELØKKEN 5-7 TLF.: +45 65 97 43 80 DK-5330 MUNKEBO FAX: +45 65 97 47 45 WWW.MUNKEBO.COM INFO@MUNKEBO.COM	Format: A3	Date: 24.04.09	Drawn by: LA
	Page: 1 of 1	Rev. date:	Scale: 1:30
Description: DUST COLLECTOR MB-3000D / MBX-312		Drawing no.: 9,1352	



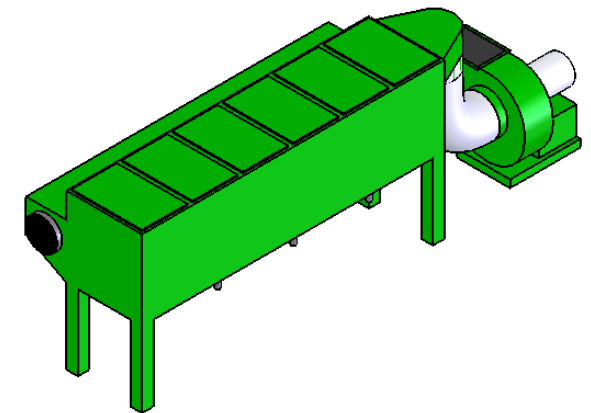
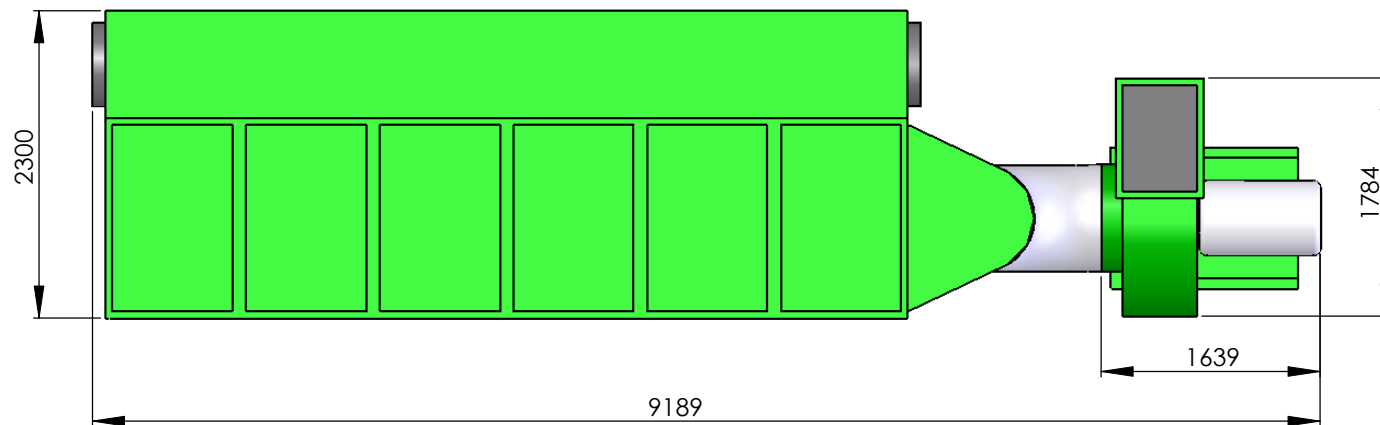
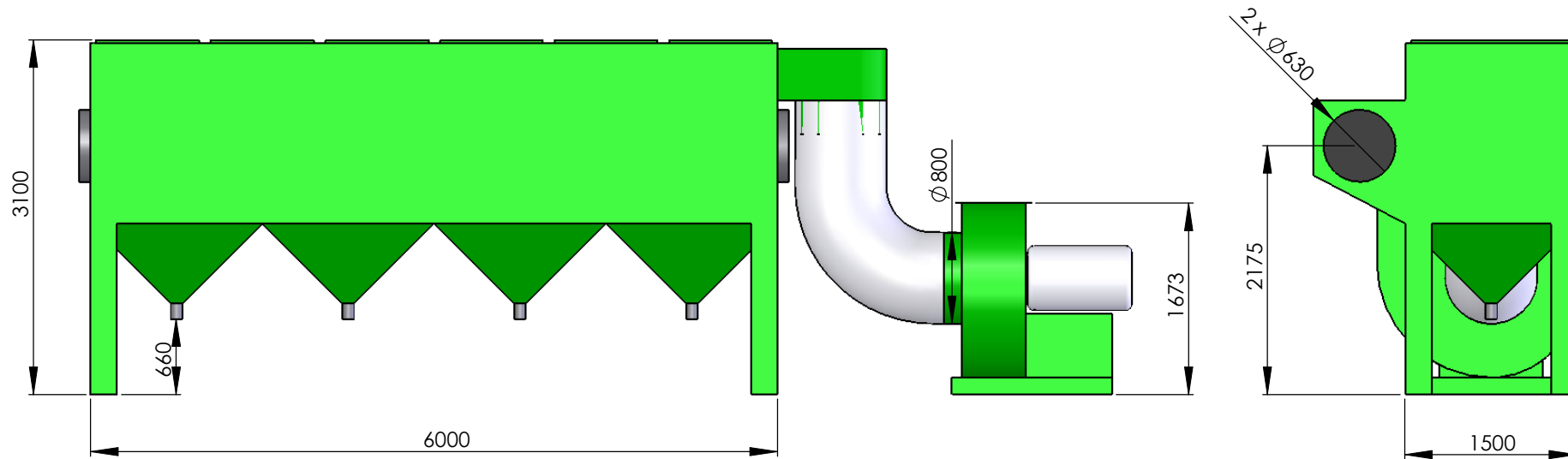
Weight = 3150 kg

MUNKEBO CLEMCO A/S SMEDELØKKEN 5-7 TLF.: +45 65 97 43 80 DK-5330 MUNKEBO FAX: +45 65 97 47 45 WWW.MUNKEBO.COM INFO@MUNKEBO.COM	Format: A3	Date: 24.04.09	Drawn by: LA
	Page: 1 of 1	Rev. date:	Scale: 1:30
Description: DUST COLLECTOR MB-35000D / MBX-351		Drawing no.: 9,1353	



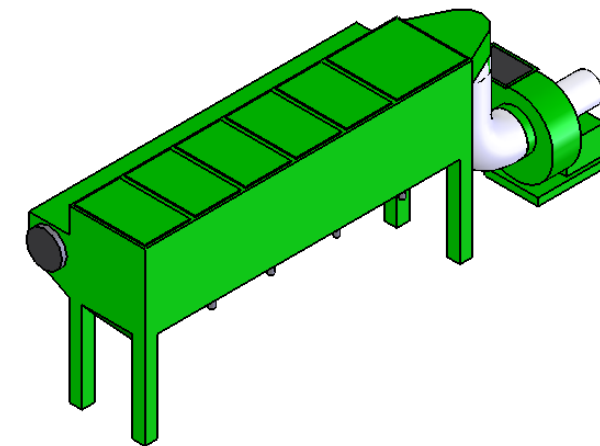
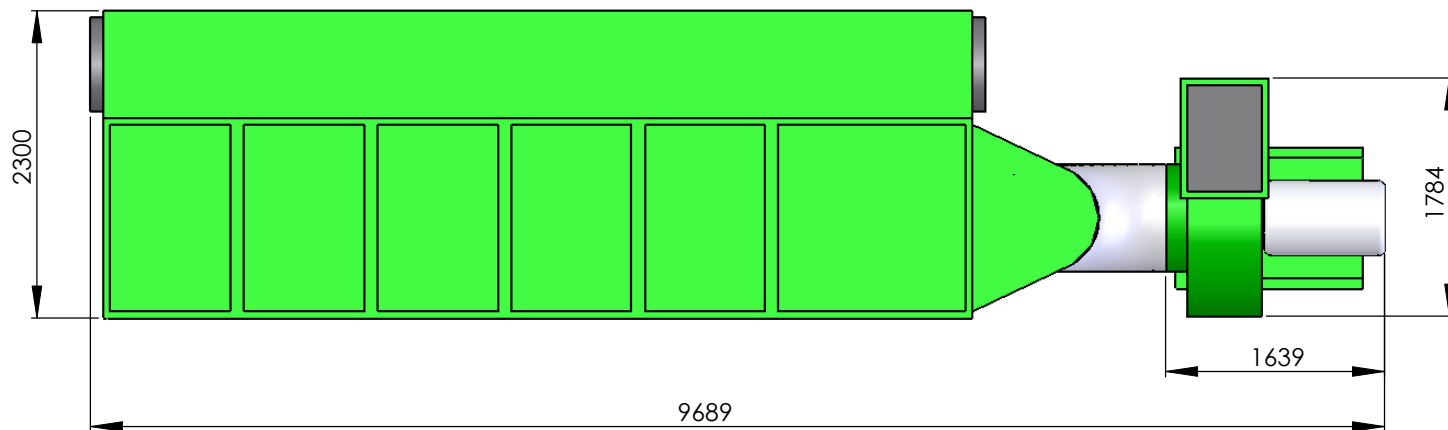
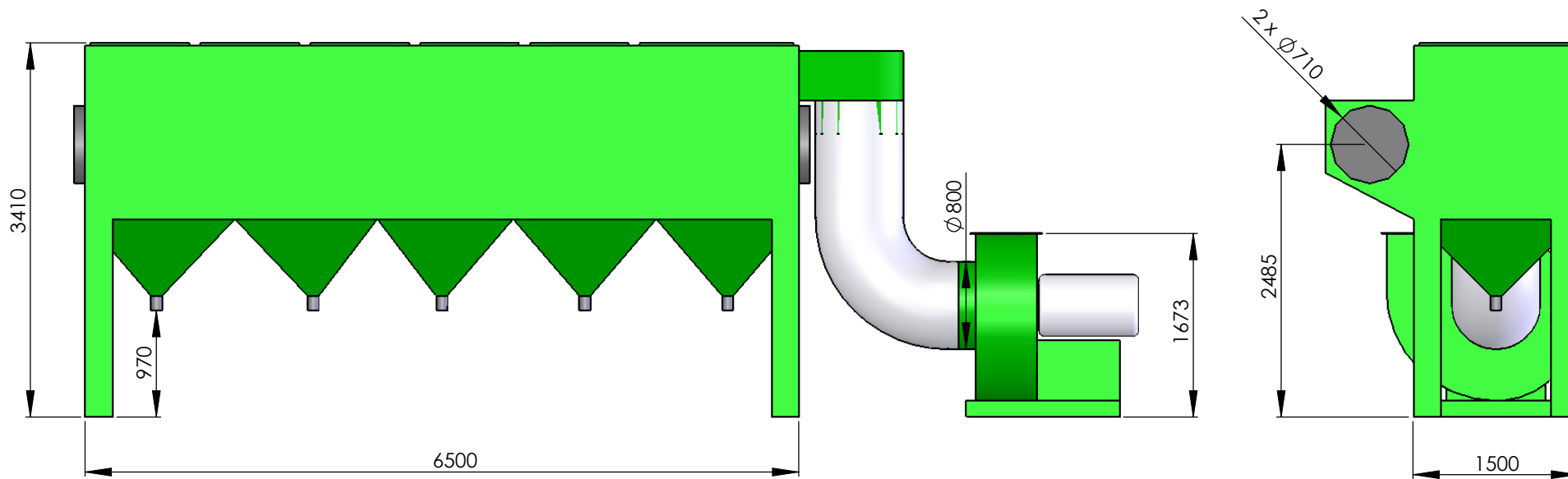
Weight = 3500 kg

MUNKEBO CLEMCO A/S SMEDELØKKEN 5-7 TLF.: +45 65 97 43 80 DK-5330 MUNKEBO FAX: +45 65 97 47 45 WWW.MUNKEBO.COM INFO@MUNKEBO.COM	Format: A3	Date: 24.04.09	Drawn by: LA
	Page: 1 of 1	Rev. date:	Scale: 1:30
Description: DUST COLLECTOR MB-4000D / MBX-390		Drawing no.: 9,1354	



Weight = 4100 kg

MUNKEBO CLEMCO A/S SMEDELØKKEN 5-7 TLF.: +45 65 97 43 80 DK-5330 MUNKEBO FAX: +45 65 97 47 45 WWW.MUNKEBO.COM INFO@MUNKEBO.COM	Format: A3	Dato: 24.04.09	Drawn by: LA
	Page: 1 of 1	Rev. date:	Scale: 1:40
Description: DUST COLLECTOR MB-4500D / MBX-468		Drawing no.: 9,1355	



Weight = 4300 kg

MUNKEBO CLEMCO A/S SMEDELØKKEN 5-7 TLF.: +45 65 97 43 80 DK-5330 MUNKEBO FAX: +45 65 97 47 45 WWW.MUNKEBO.COM INFO@MUNKEBO.COM	Format: A3	Date: 24.04.09	Drawn by: LA
	Page: 1 of 1	Rev. date:	Scale: 1:40
Description: DUST COLLECTOR MB-5000D / MBX-507		Drawing no.: 9,1356	